

MAXREACH WU14A



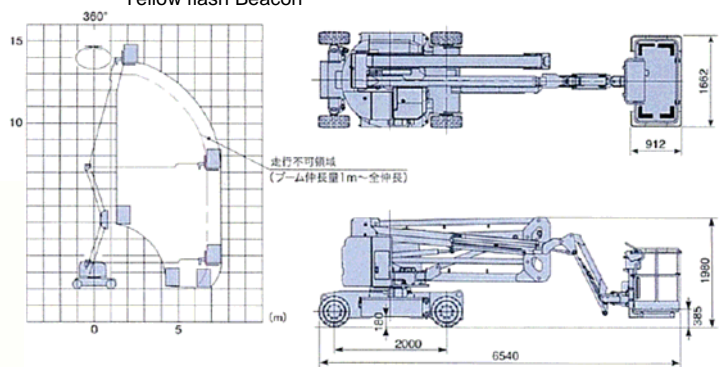
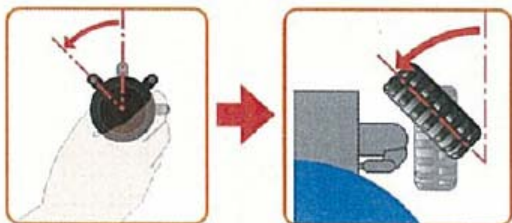
*Big Working Range
Compact Body size
Zero Tail Swing*

Platform Height 13.7m
Platform Capacity 227kg
Max Outreach 7.7m

●MODEL	
Model	WU14AJN
●PLATFORM	
Platform Capacity	227kg
Platform Height	13.7m
Max. Working Radius	7.7m
Inner Dimensions	1.66m × 0.91m × 1.1m
Swinging Angle	180°
●BOOM	
Type	2 stage synchronized telescopic action
Rotation Angle	370degrees
Max. Angle of Jib	133°
●TRAVEL DEVISE	
Speed	0-4.8km/h (High) 0-1.0km/h(Low)
Gradeability	17°
●POWER SOURCE	
Input Voltage	Single phase AC230V
Battery Voltage	48V
Battery Capacity	300Ah (5hr)
●Vehicle Weight	
Vehicle weight	7500kg
●Vehicle Dimention	
	1.75m x 1.98m x 6.54m
●Min. Turning radius	
	3.2m
●Ground pressure	
	1800kpa(18.4kg/cm2)
●Others	
Auto-Centering steering, Battery capacity indicator, The belt for ground earth	
●Safety Devices	
Foot switch, Safety switch, Emergency stop switch, Horn, Travel speed regulation device, Hydraulic safety device, Electrical safety device, Vehicle inclination warning alarm, Handrail, Lever guard, Emergency pump, Protection device for the battery cable, Hand pump for Emergency	

●Optional devices
110V Power to the platform (External power source will be needed.)
Light for night work, Light for upper control panel, Head light, Yellow flash Beacon

Auto Centering Steering
Steering will automatically steer back to centre position after



AICHI CORPORATION
Overseas Marketing Department
1152,Ryoke Ageo,Saitama 362-8550,JAPAN
TEL:+81-48-781-1646
FAX:+81-48-781-1808
<http://www.aichi-corp.co.jp/>

DISTRIBUTOR