

**CMC**  
THE SPECIALIFT

**XL SERIES**  
EXTRA LARGE





# XL SERIES

EXTRA LARGE

## Maximum working height, minimum overall dimensions, top performance.

No one is in its league. With its telescopic boom with 6 extensions, plus the articulated telescopic jib, the CMC S41 is capable of reaching the extraordinary working height of 41m above the ground and the lateral outreach up to 19m with a unique payload of 200kg.

Despite its exceptional elevation, it's able to stabilise with a minimum stabilisation area of 3.99m and it takes a very small space for the transport. CMC S41 is an extraordinary working tool that is always up to the demanding tasks.



**S41**

# BENEFITS



## **Ease of transport**

The exceptional operating height does not prevent the S41 from taking on a very compact size when closed, making it easier to transport with a truck and to pass through small gates.

## **Versatility of use**

Despite its XL size in elevation and lateral outreach, the S41 has a stabilisation area of only 3.99 m, allowing it to go anywhere and operate in all conditions.



## **Ease of use**

The Self Control System by CMC, standard on the S41, automatically carries out a series of fundamental tasks, including: stabilisation and levelling, control of the boom's smoothness and speed, closure of the aerial part and warning of any malfunctions.

# FEATURES

Basket with quick release system and wheels

Radio control with display showing height, reach, basket load and fault code



Boom with 6 telescopic extensions

Load control by 4 cells (without microswitches)

Danfoss electro-hydraulic controls

Connection system for remote assistance

81 different combinations of stabilisation with matching automatic outraches

## Some available options

**S41**

Version with lithium battery (300 Ah)



Hybrid version (diesel engine + lithium batteries)



380V, 230V, 120V or 110V electric motor



Grey non-marking tracks



Fibreglass basket with 1 or 2 seats



Remote connection kit



Custom colours



# CMC PLATFORMS APPLICATIONS



**Refurbishment building works**  
even in places with difficult access such as worship places, historical buildings, hotels, and shopping centres.

**Facilities management**  
such as stadiums, sports facilities, airports, advertising installations in areas with limited traffic or difficult access.



**Pruning tall trees**  
and even operating in tight spaces inside private homes on particularly delicate turf.





# TECHNICAL DATA

# S41

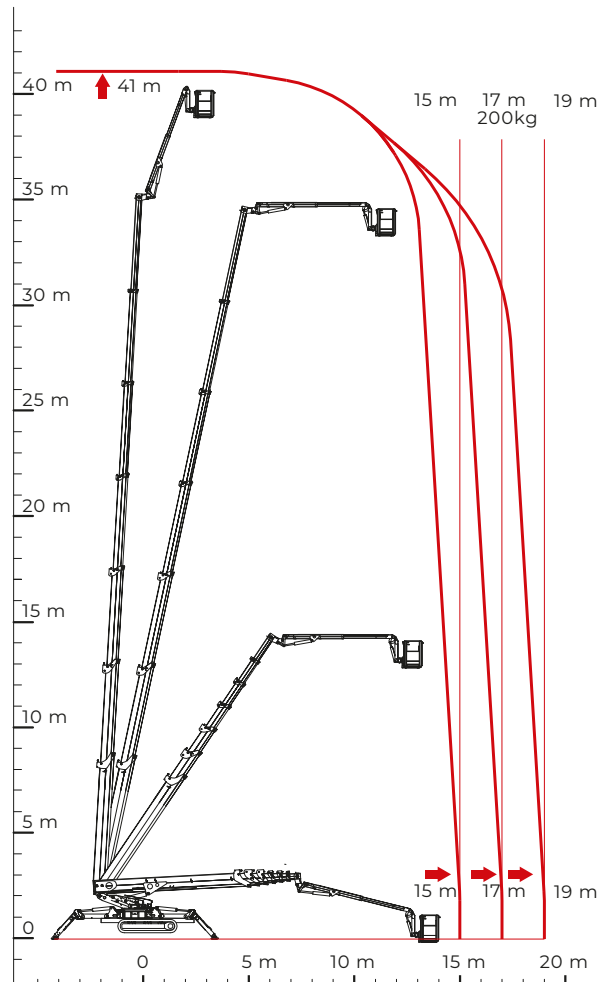
## PERFORMANCE AND DIMENSIONS

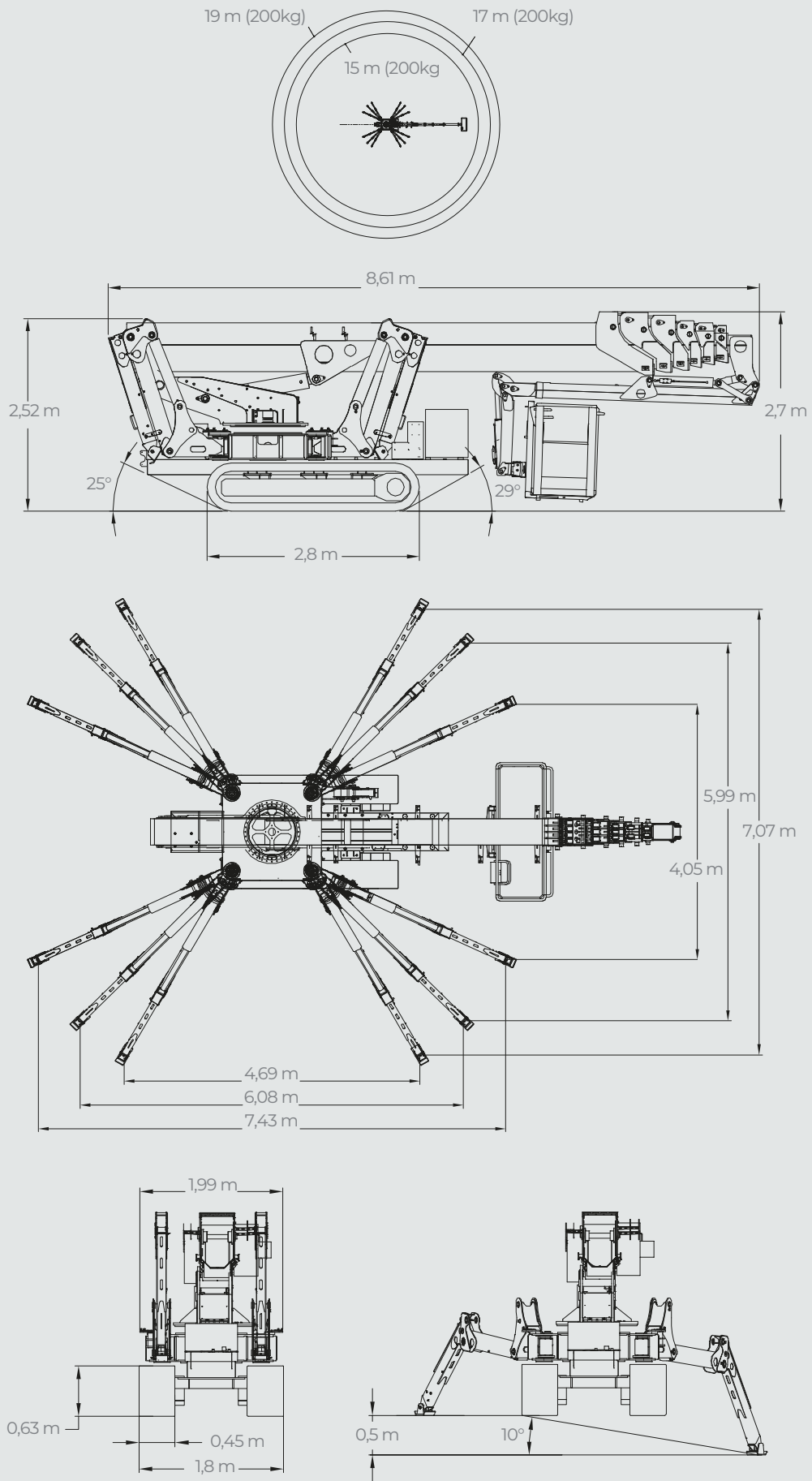


### Main features

Platform equipped with a telescopic boom with six extensions and an articulated telescopic jib, allowing one or two operators to reach the height of 41m. The basket can be rotated 180° with a quick-release system. Smooth operations and safety are guaranteed by the automatic command and control system Self Control System by CMC.

Max. working height	<b>41 m</b>
Max outreach	<b>19 m</b>
Platform height	<b>39 m</b>
Max. load in basket	<b>200 kg</b>
Basket dimensions	<b>2 x 0,8 x 1,1 m</b>
Basket rotation	<b>+90°</b>
Turret rotation	<b>+/- 180° (360° continuous)</b>
Total weight	<b>13460 Kg</b>





\*data may can change due to updates of components





## CMC SELF-PROPELLED CRAWLER PLATFORMS

### F SERIES

MODEL	MAX. WORKING HEIGHT	MAX. OUTREACH	WEIGHT
S13F	12,9 m	8,5 m	1565 Kg
S15F	14,8 m	8,7 m	2378 Kg
S18F	17,78 m	11,15 m	2495 Kg

### LC SERIES

MODEL	MAX. WORKING HEIGHT	MAX. OUTREACH	WEIGHT
S15	14,9 m	6,9 m	1820 Kg
S20	19,9 m	10,4 m	2980 Kg
S23	23 m	12,4 m	3000 Kg

### HD SERIES

MODEL	MAX. WORKING HEIGHT	MAX. OUTREACH	WEIGHT
S19HD	18,7 m	11,4 m	2685 Kg
S22HD	21,6 m	12,5 m	3025 Kg

### DP SERIES

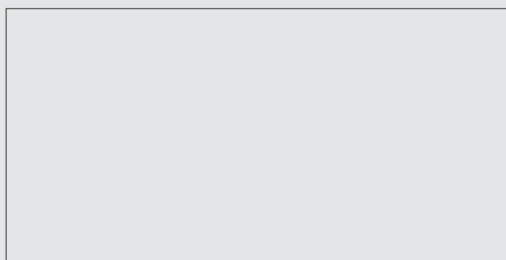
MODEL	MAX. WORKING HEIGHT	MAX. OUTREACH	WEIGHT
S27	27,3 m	15,4 m	4109 Kg
S30	30,3 m	15,4 m	4285 Kg
S32	32 m	16 m	7255 Kg

### XL SERIES

MODEL	MAX. WORKING HEIGHT	MAX. OUTREACH	WEIGHT
S41	41 m	19 m	13460 Kg

### i SERIES

MODEL	MAX. WORKING HEIGHT	MAX. OUTREACH	WEIGHT
i23	23,3 m	10,3 m	3930 Kg
i27	26,6 m	13,3 m	4680 Kg



# CMC

## THE SPECIALIFT

C.M.C. s.r.l.

Via Bitritto, 119 - 70124 Bari - Italy

Tel. +39 080 532 66 06

cmclift.com - info@cmclift.com

Follow us on

